



WC - Tara.

Tissue holder without cover - Dark Platinum matte

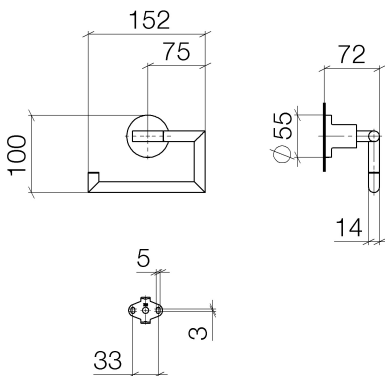
Article number: 83 500 892-99

- Width 6"
- Height 3-7/8"
- Flange diameter 2-1/8"
- 2-7/8" Projection



Dark Platinum matte

Dimensional drawing



All dimensions in mm / inch = mm x 0,0394



WC - Tara.

Tissue holder without cover - Dark Platinum matte

Article number: 83 500 892-99



WC - Tara.

Tissue holder without cover - Dark Platinum matte

Article number: 83 500 892-99

Other surface finishes



polished chrome
83 500 892-00



platinum matte
83 500 892-06



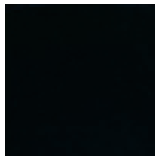
platinum
83 500 892-08



Dark Brass matte
83 500 892-16



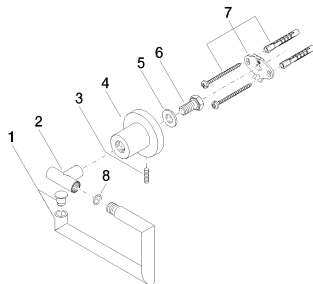
Dark Bronze matte
83 500 892-17



black matte
83 500 892-33

More custom finish options are available via special production (xTra Service). Please see our finish matrix for availability and pricing or contact a Dornbracht representative.

Spare parts list



Number	Item Number	Designation	Number of units
--------	-------------	-------------	-----------------